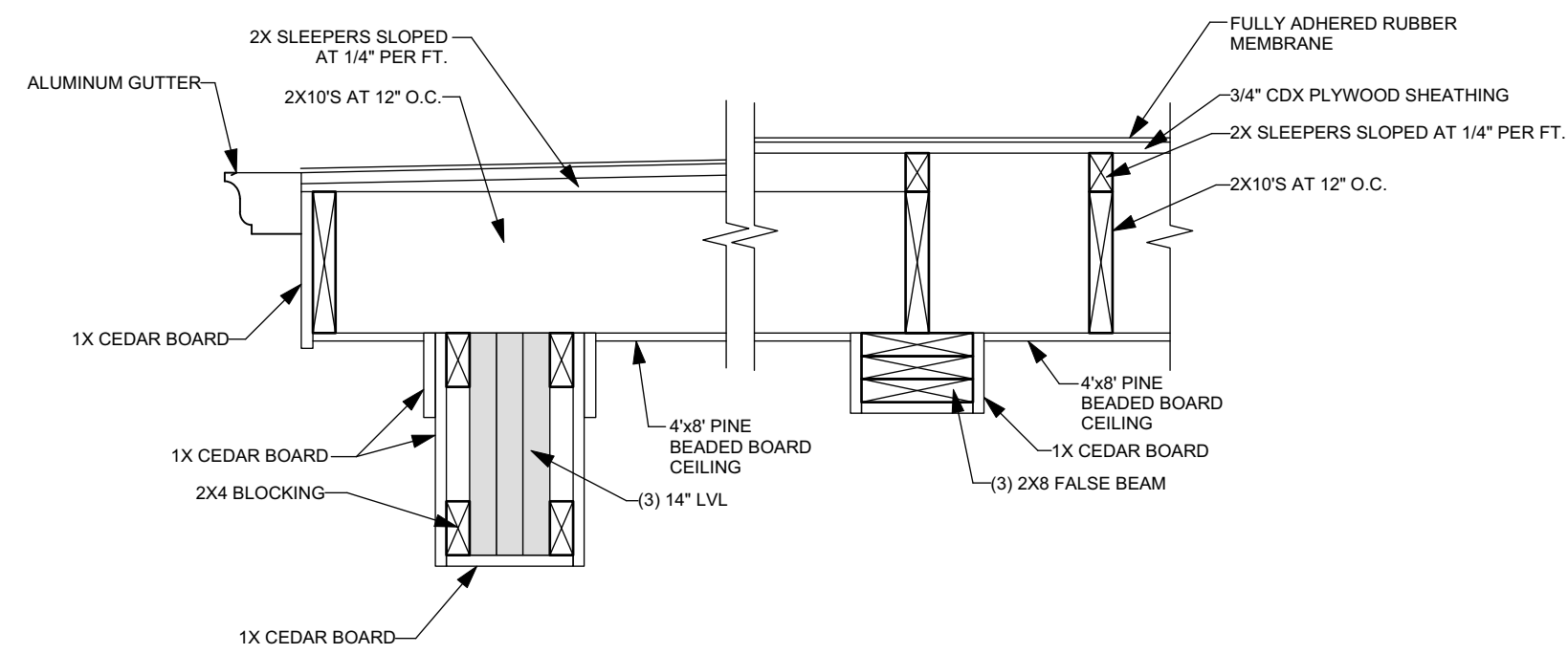


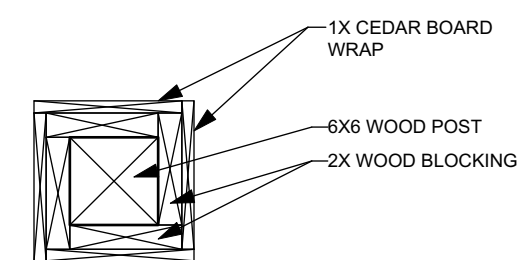
### FOUNDATION PLAN

SCALE: 1/4"=1'-0"



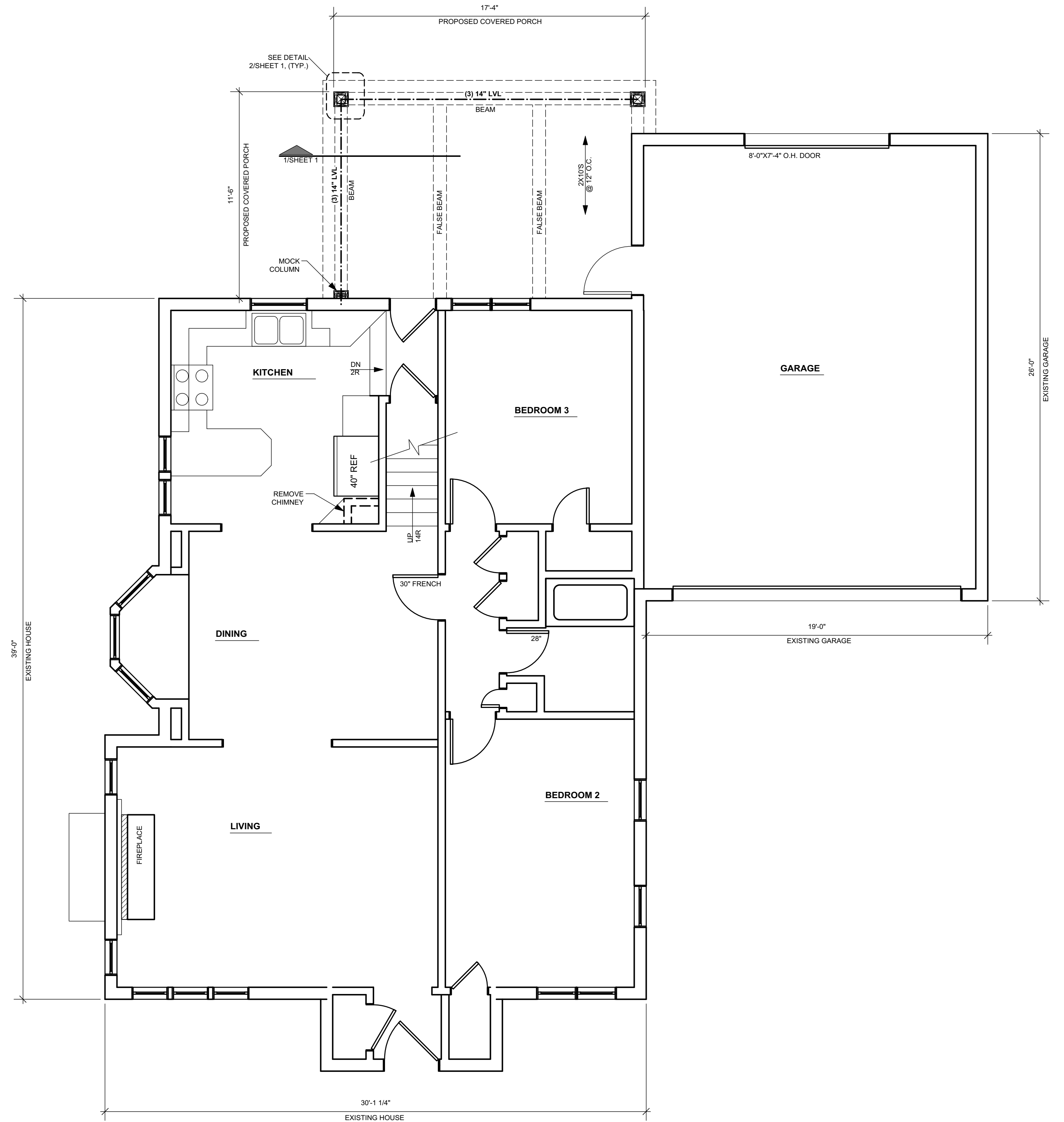
### 1 PORCH ROOF SECTION

SCALE: 1"=1'-0"



### 2 COLUMN DETAIL

SCALE: 1"=1'-0"



### FIRST FLOOR PLAN

SCALE: 1/4"=1'-0" 1,139 SQ. FT.

## STEINLE RESIDENCE

635 VERNON PLACE, ELM GROVE, WI

**DS DESIGN SERVICES LLC**  
 14375 WISCONSIN AVENUE  
 ELM GROVE, WI 53122  
 ATTN: DALE STREITENBERGER, AIA  
 (414) 322-0406  
 dstreils@gmail.com

-PLAN EXAM SET  
 DRAFTED BY:  
 JM Design Studio LLC

