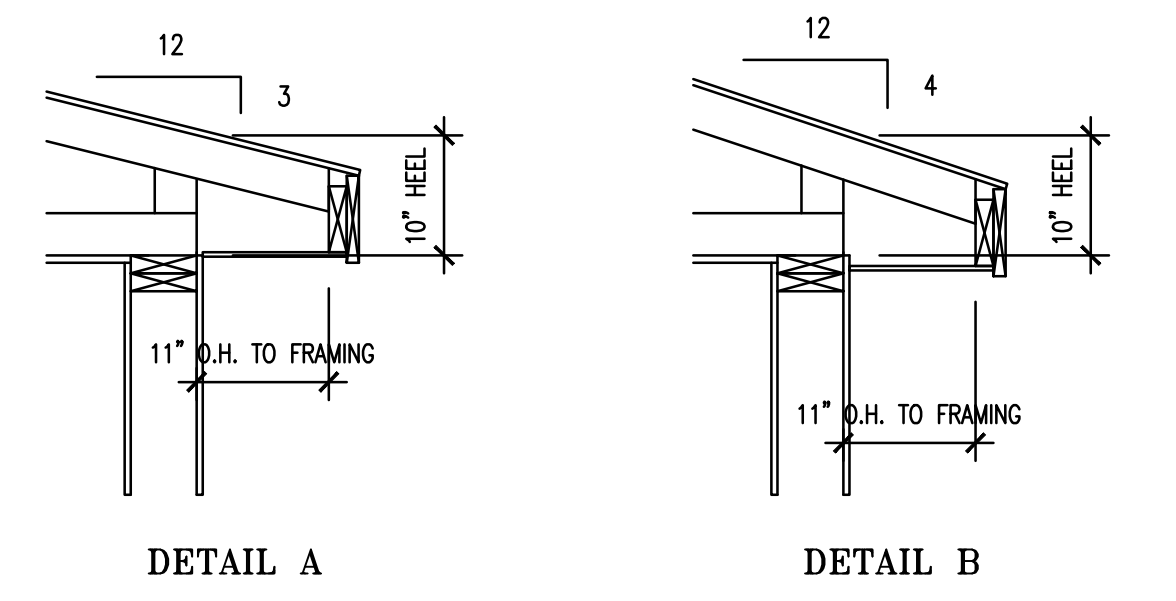
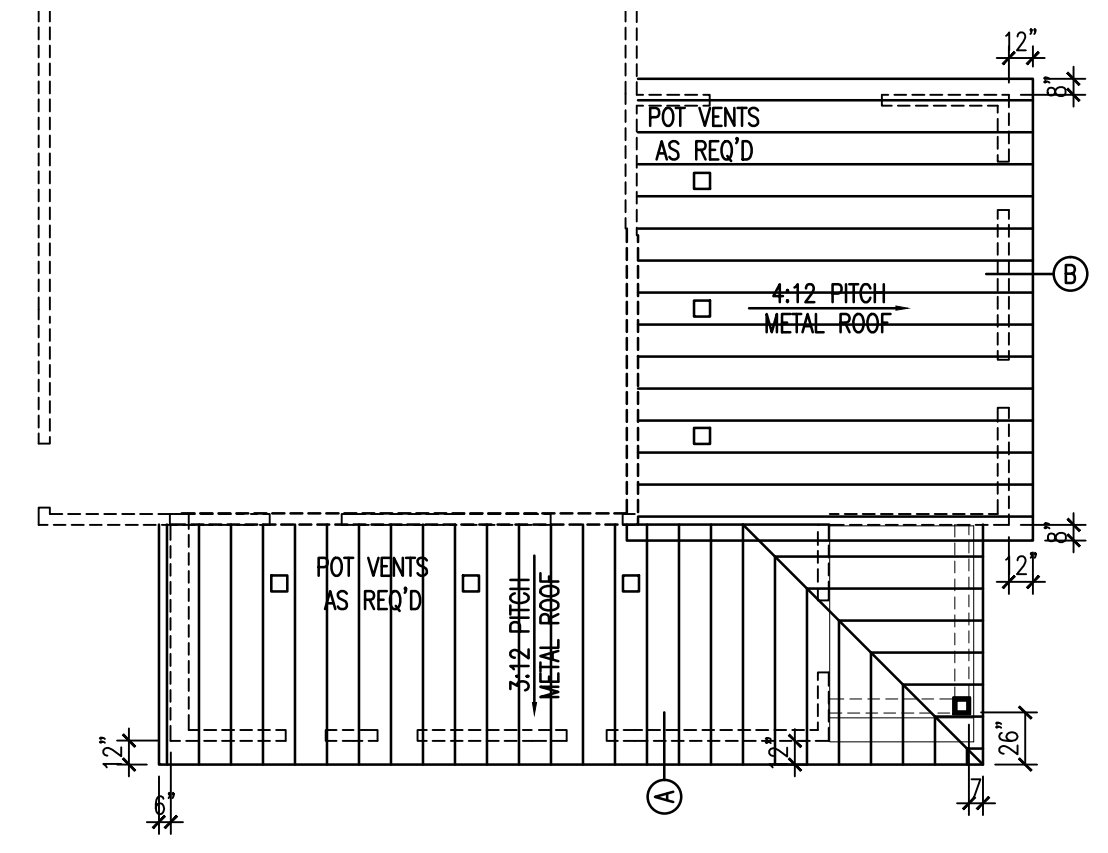


NO.	DATE	DESCRIPTION	BY:
01	1.4.19	Design Set	ALK
02			
03			
04			
05			
06			
07			



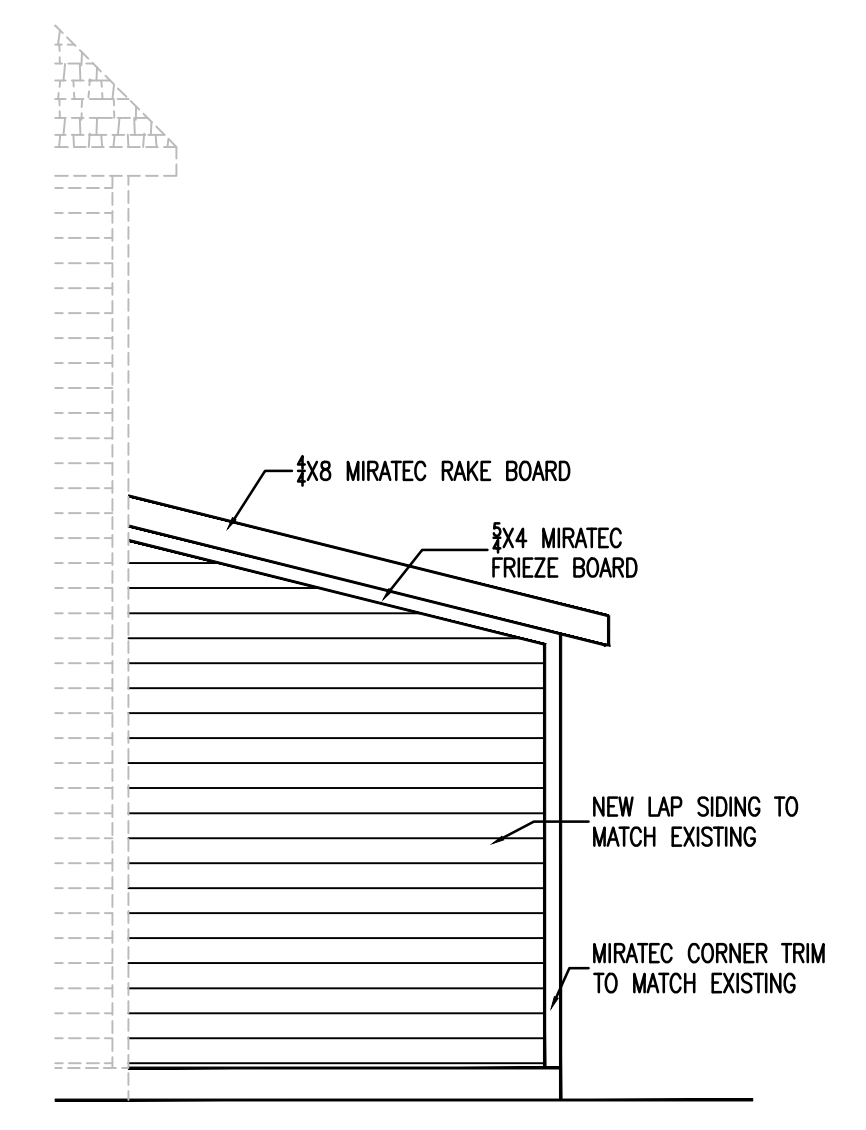
**ROOF HEEL DETAILS**

SCALE: 3/4" = 1'-0"



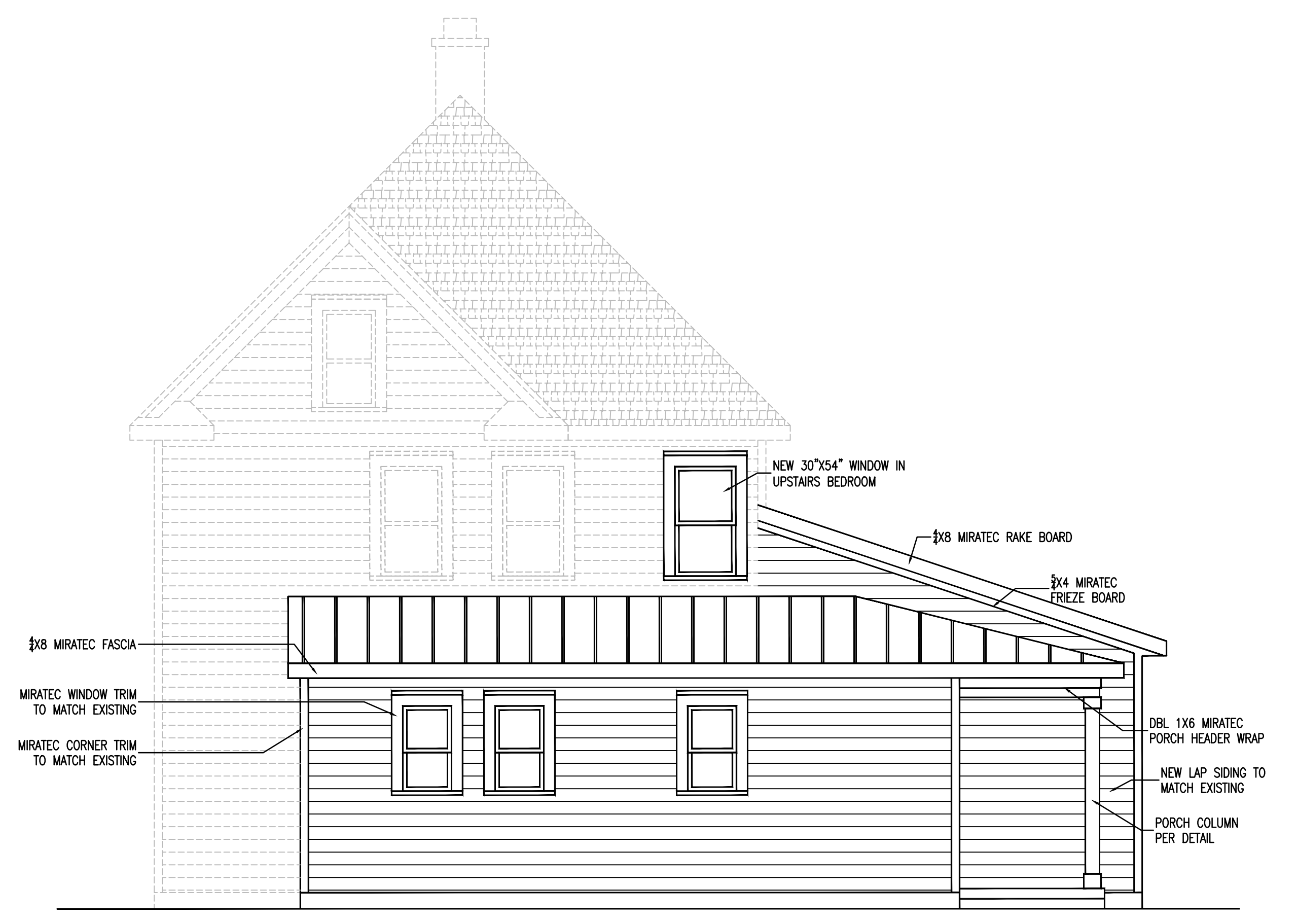
**ROOF PLAN**

SCALE: 1/8" = 1'-0"



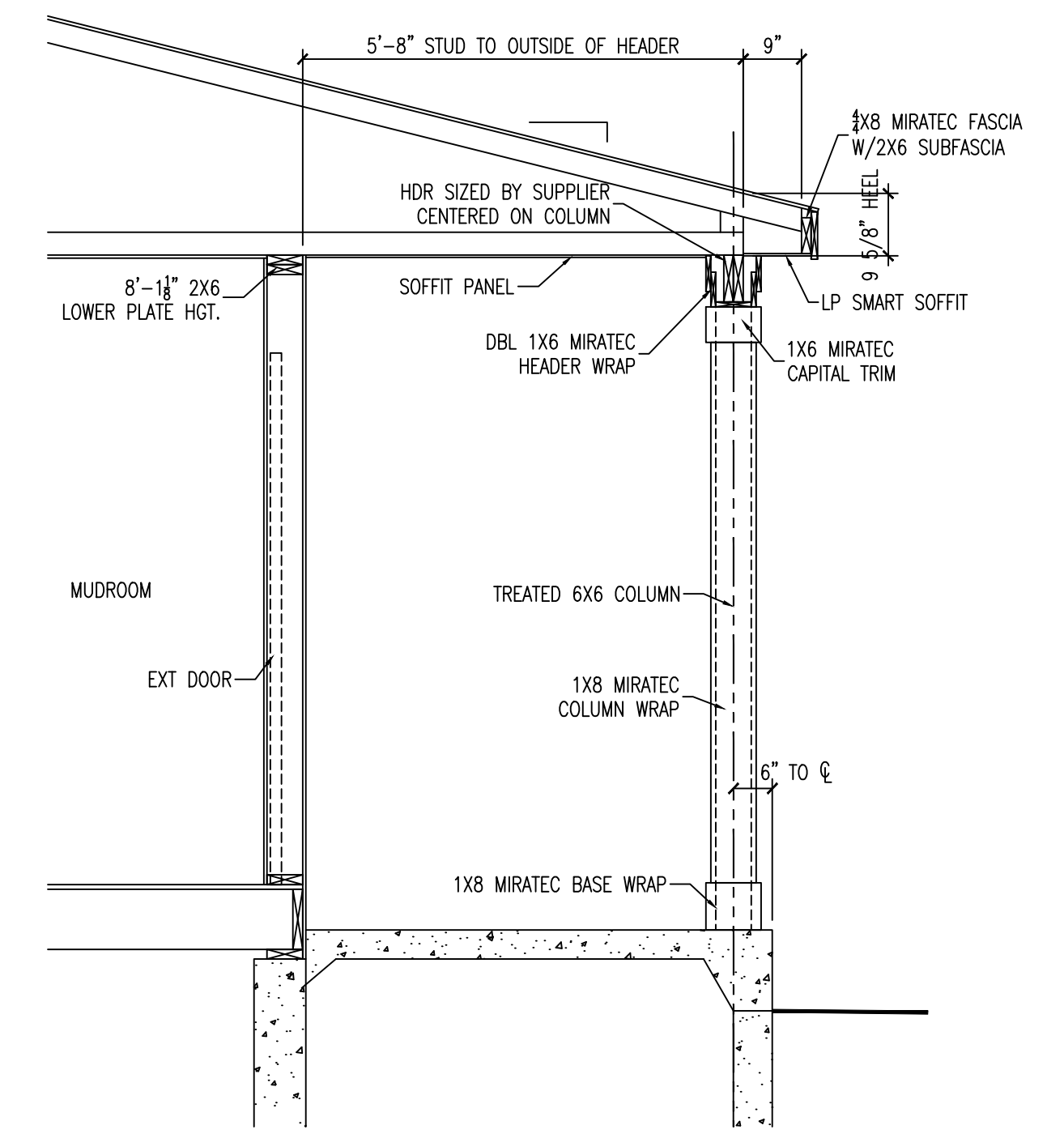
**WEST ELEVATION**

SCALE: 1/4" = 1'-0"



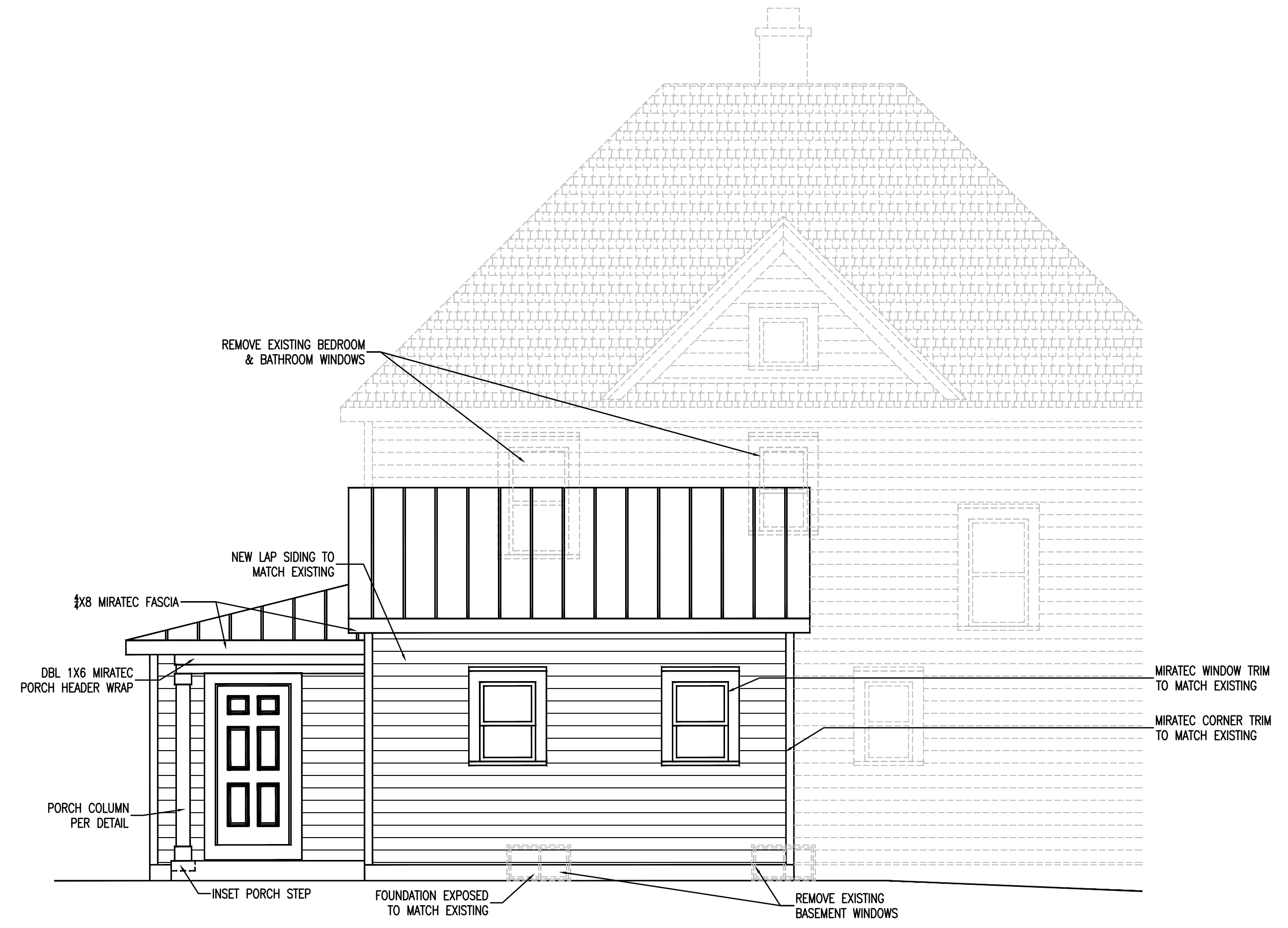
**NORTH ELEVATION**

SCALE: 1/4" = 1'-0"



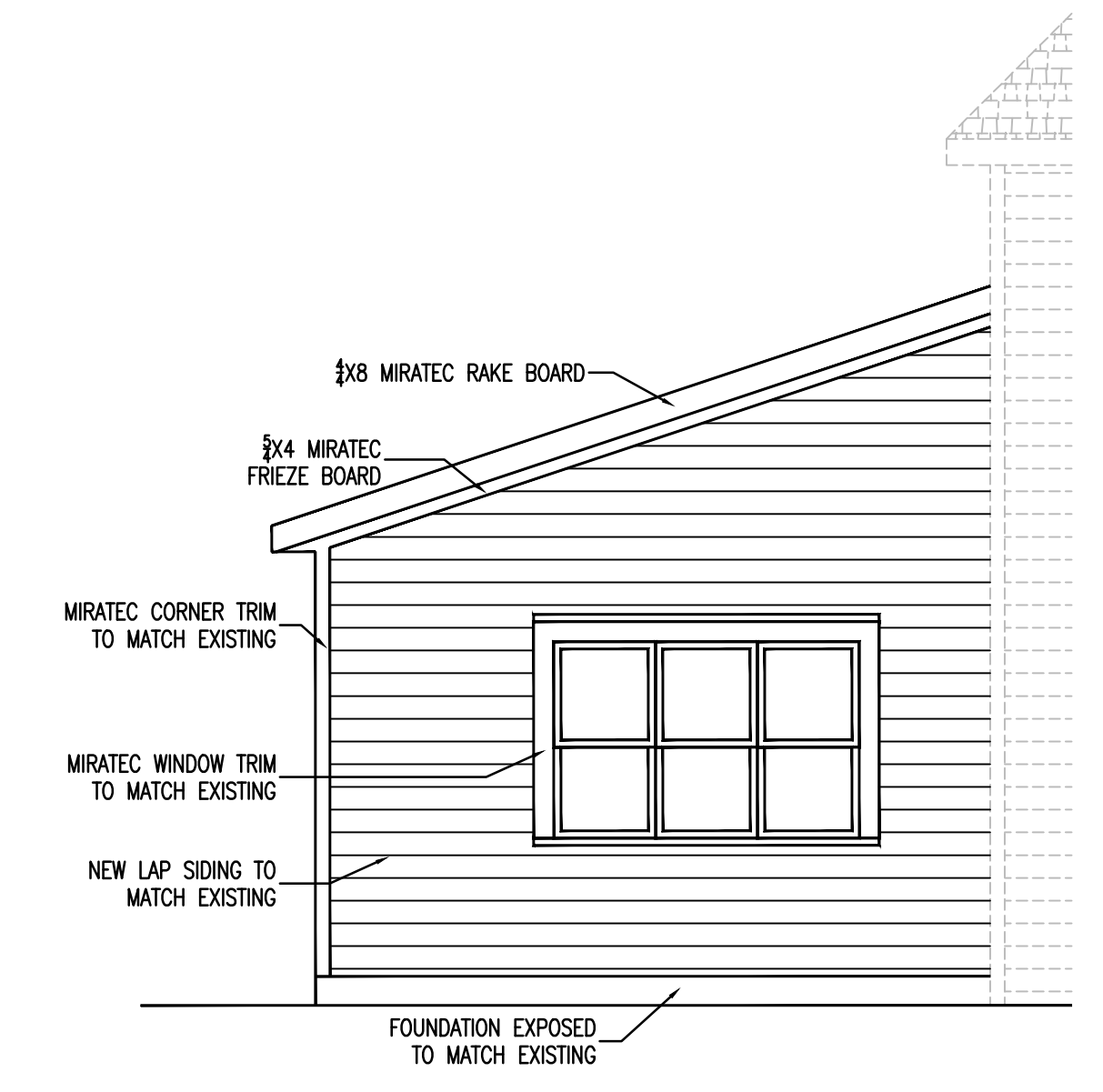
**PORCH COLUMN DETAIL**

NTS



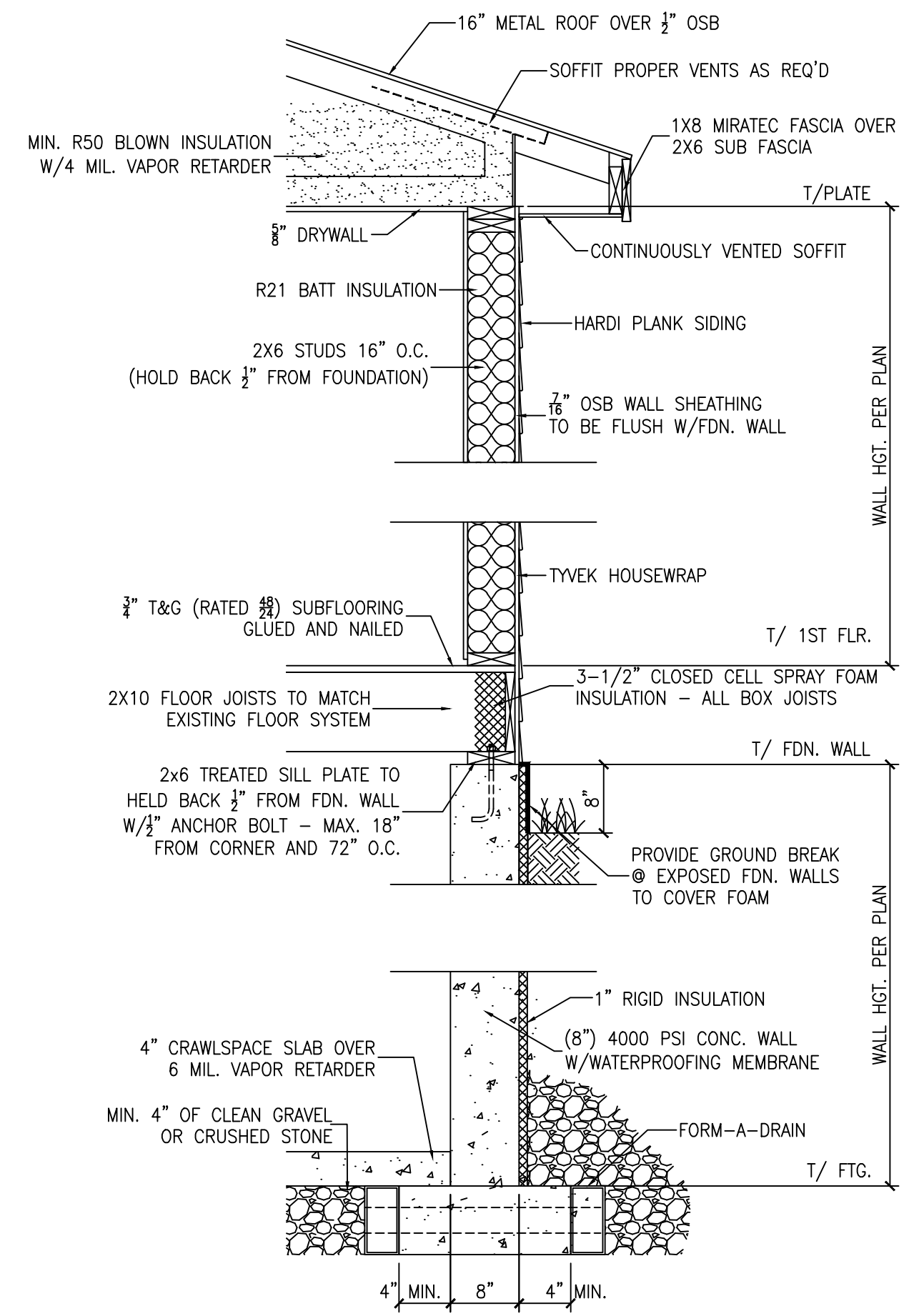
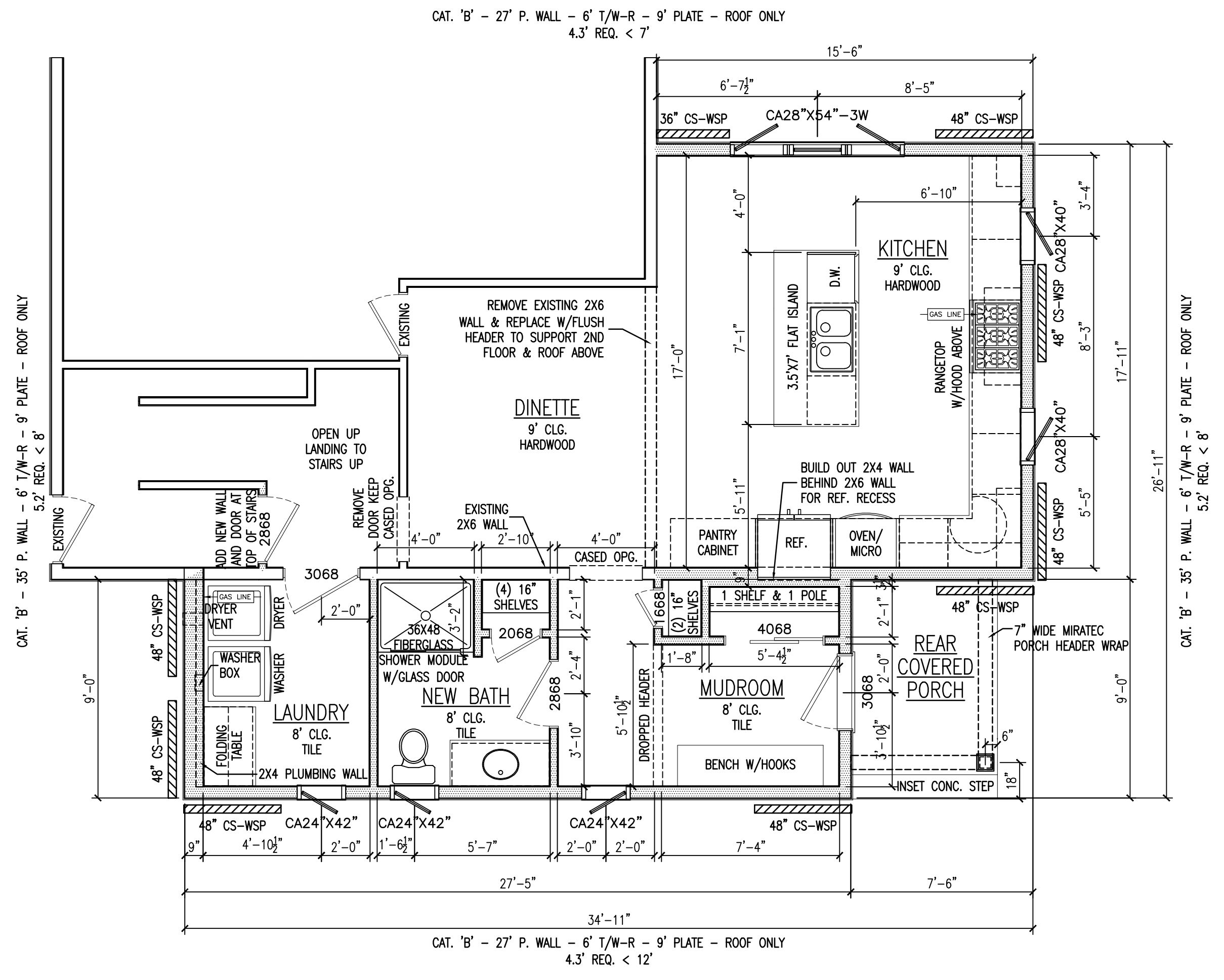
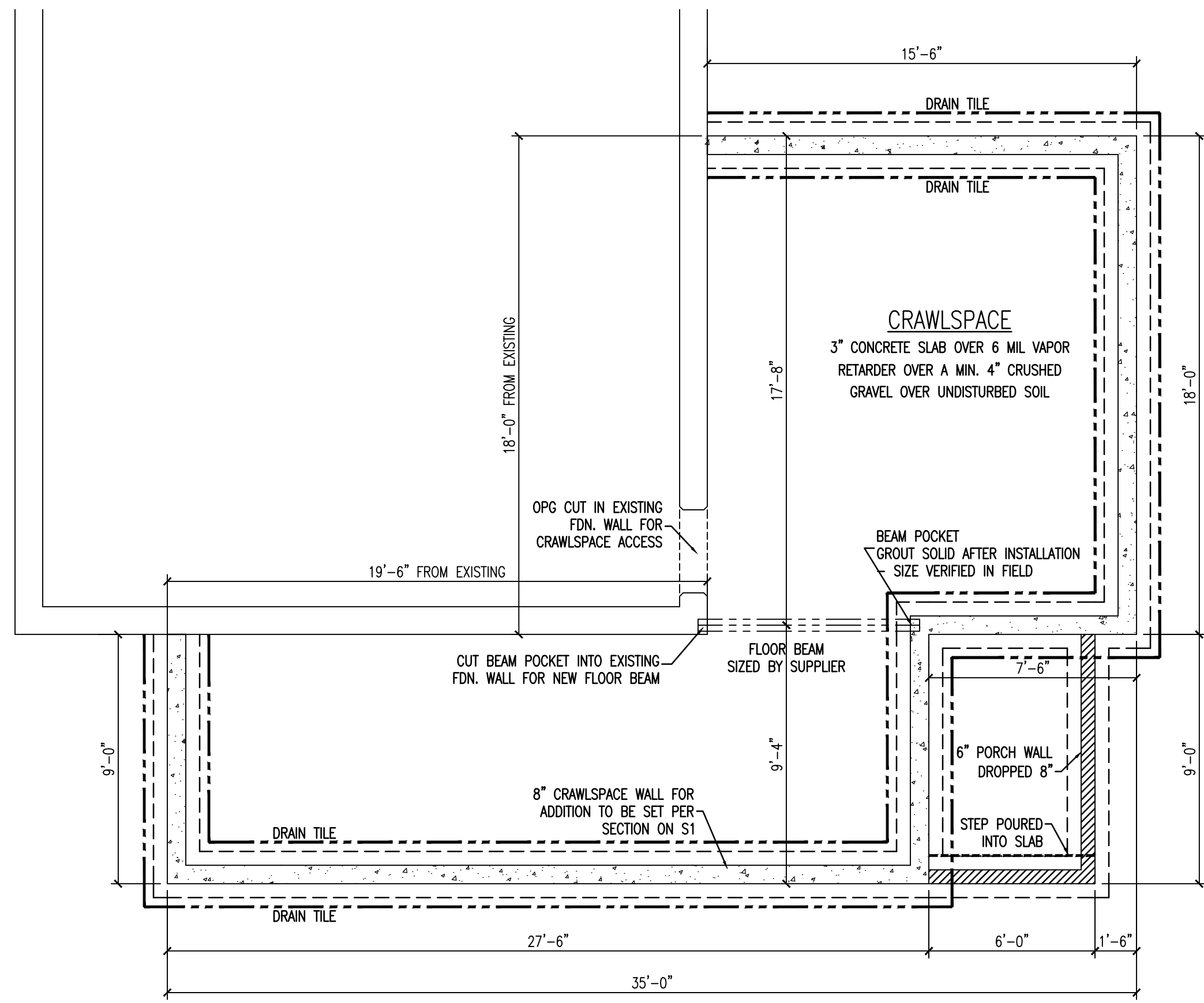
**EAST ELEVATION**

SCALE: 1/4" = 1'-0"



**SOUTH ELEVATION**

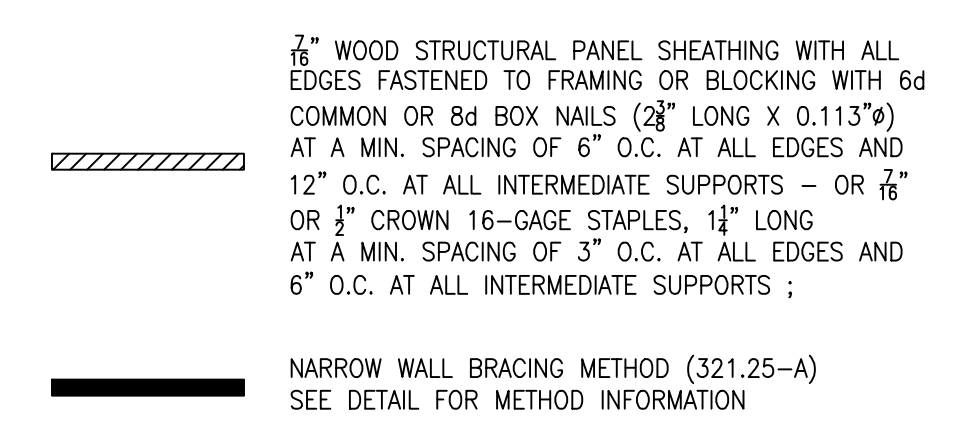
SCALE: 1/4" = 1'-0"



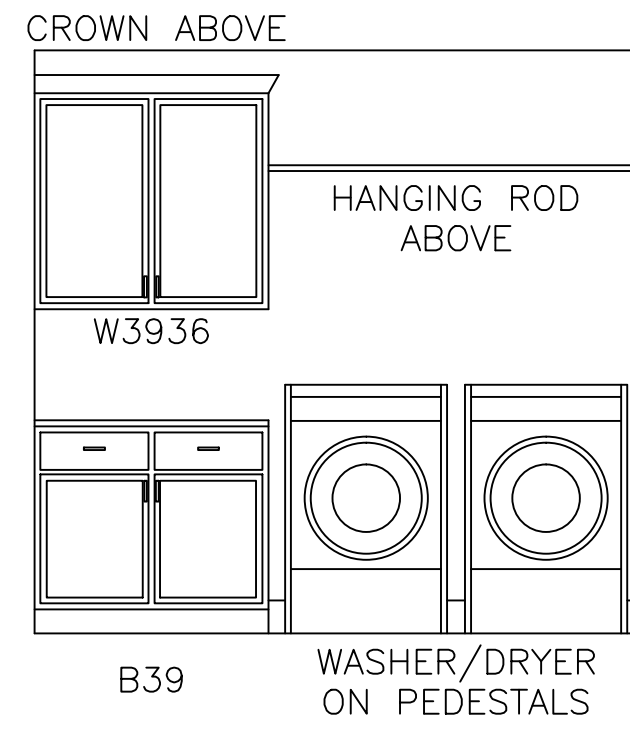
**CIRCUMSCRIBED RECTANGLE BRACING REQUIREMENTS**

WIND CATEGORY - LENGTH OF PERPENDICULAR WALL - TOP OF WALL TO RIDGE HEIGHT - PLATE HEIGHT - WALLS SUPPORTING  
 CALCULATIONS FROM TABLE 321.25-J = BRACING LENGTH REQUIRED < AMOUNT OF BRACING ON WALLS

**WOOD STRUCTURAL PANEL WALL BRACING METHOD**



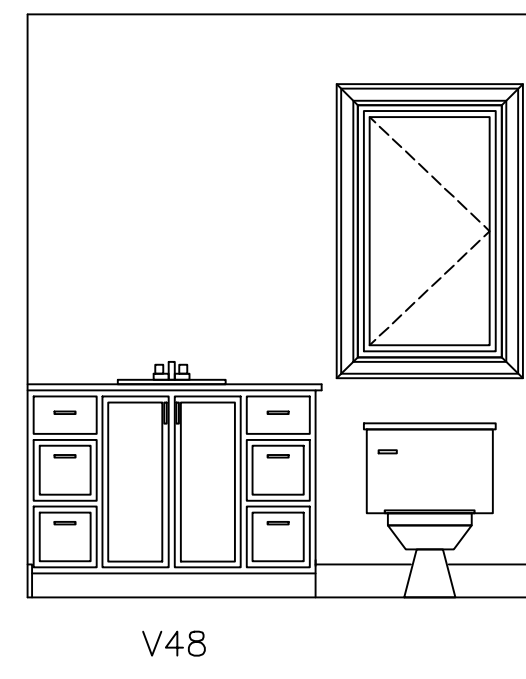
NO.	DATE	DESIGN SET	DESCRIPTION
01	1.4.19	Design Set	ALK
02			BY:
03			
04			
05			
06			
07			



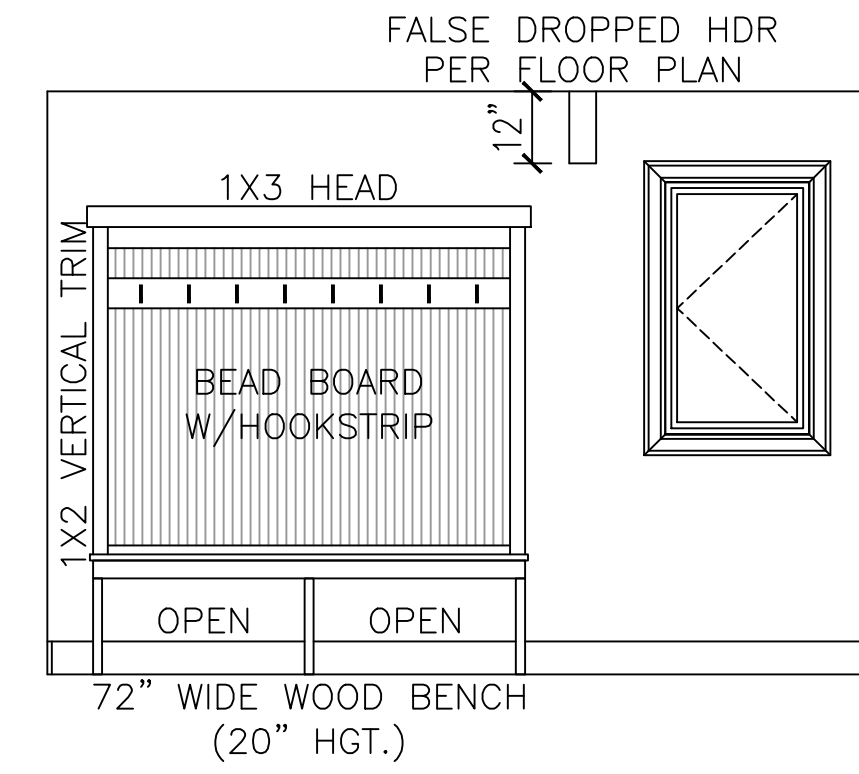
**LAUNDRY**



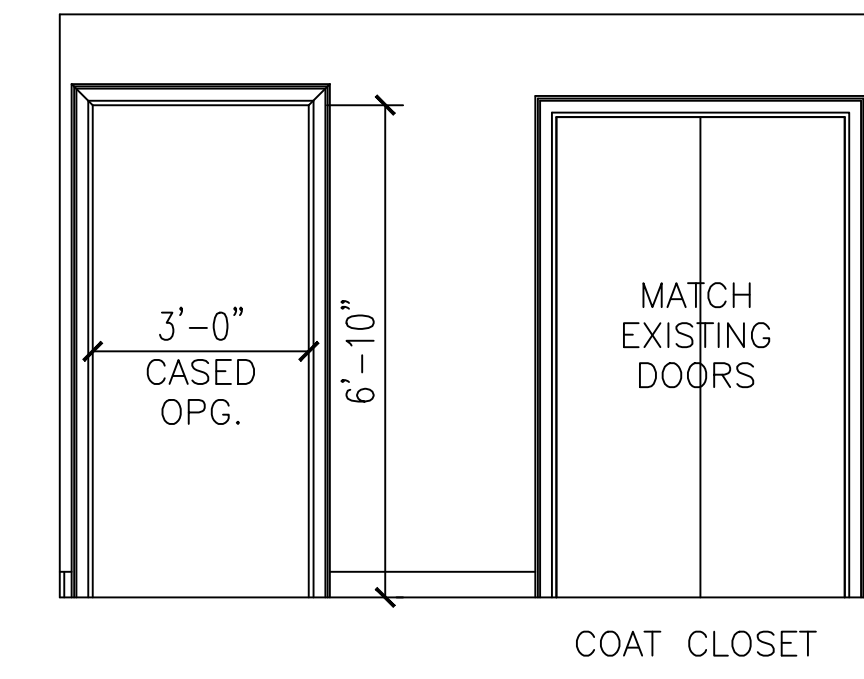
TOWARD SHOWER



TOWARD VANITY



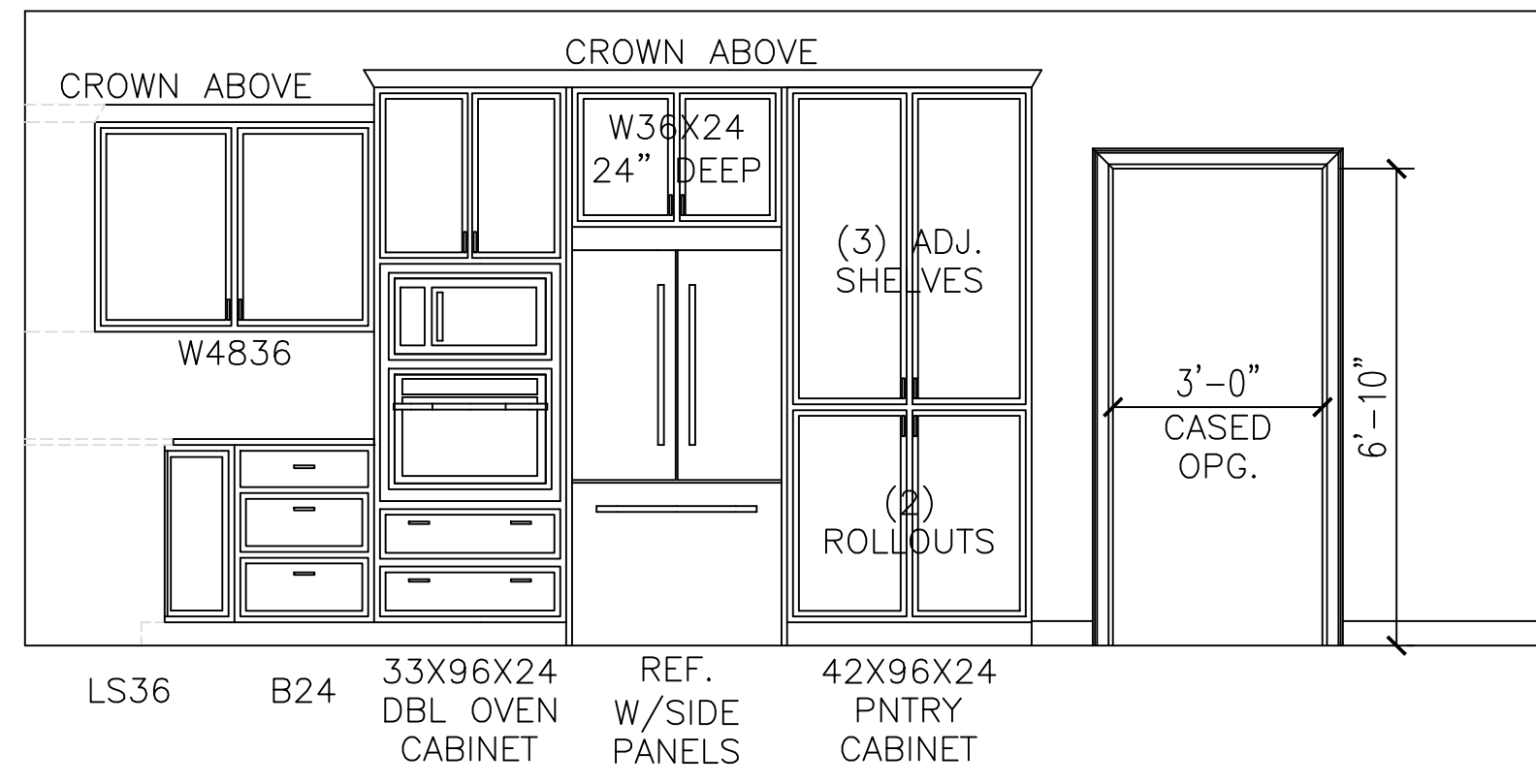
TOWARD BENCH



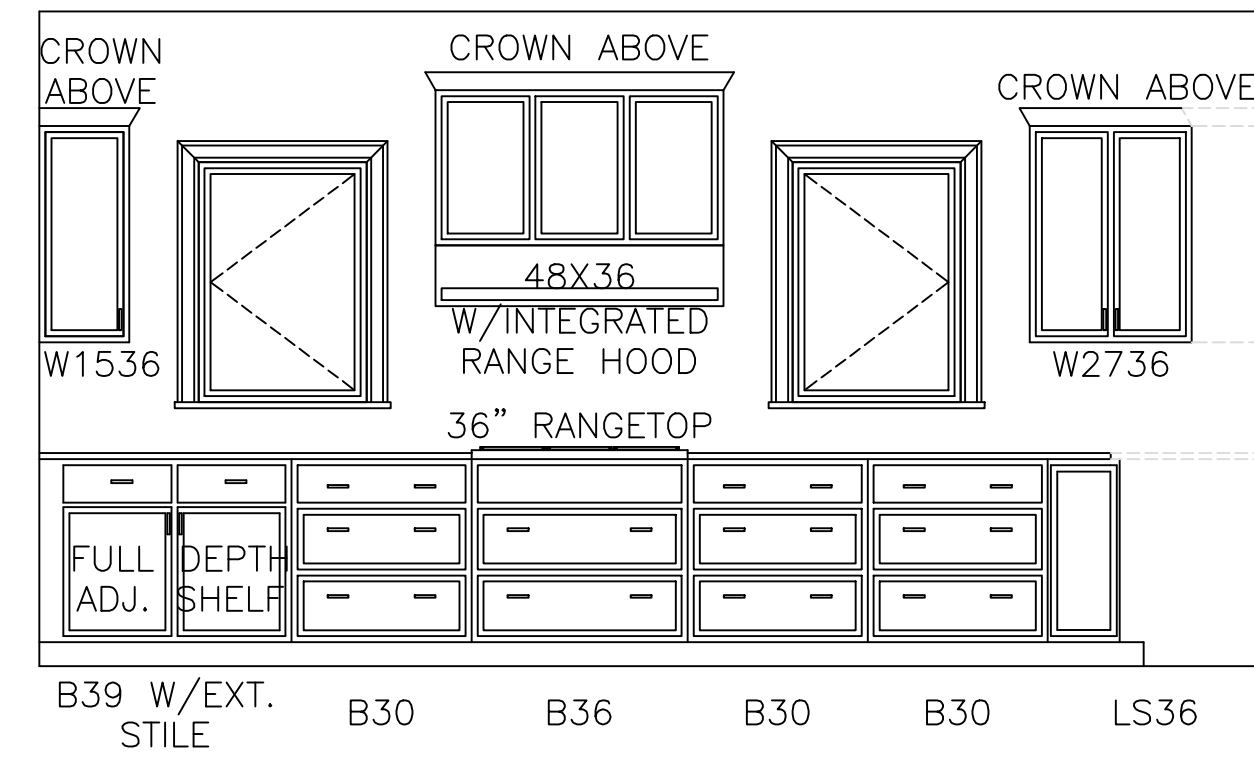
TOWARD COAT CLOSET

**NEW BATHROOM**

**MUDROOM**

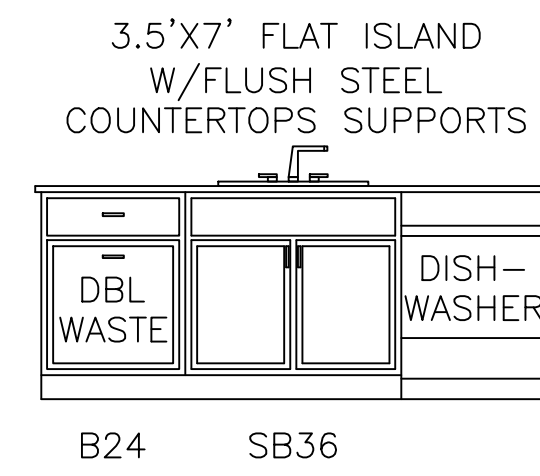


REF. OVEN/MICRO WALL

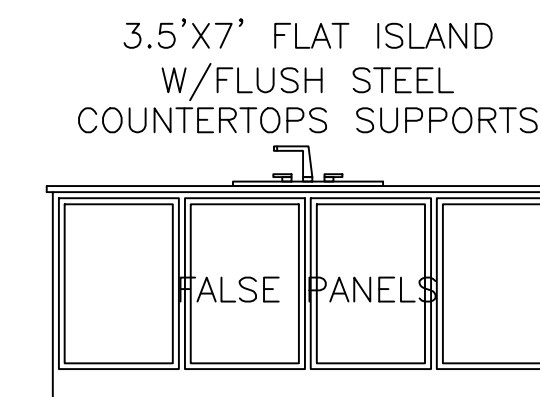


RANGETOP WALL

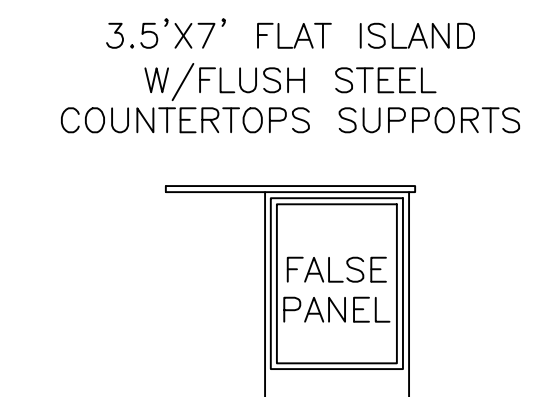
**KITCHEN WALLS**



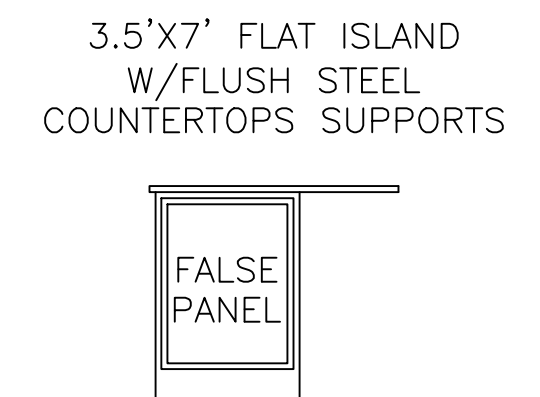
TOWARD DINETTE



TOWARD RANGE WALL

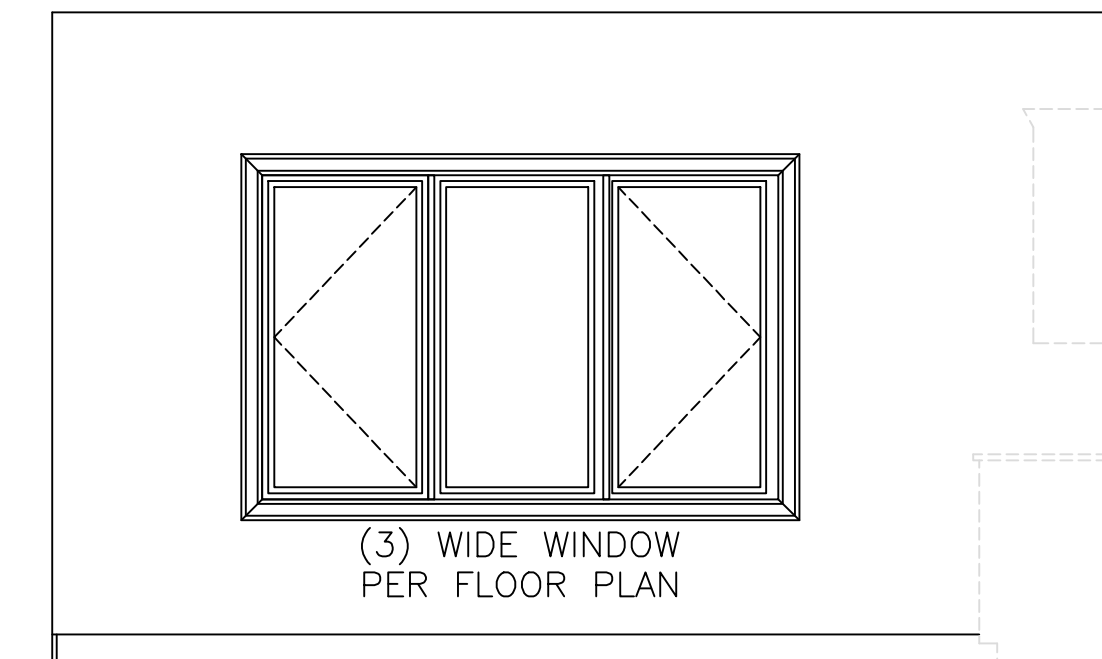


TOWARD SOUTH WINDOWS



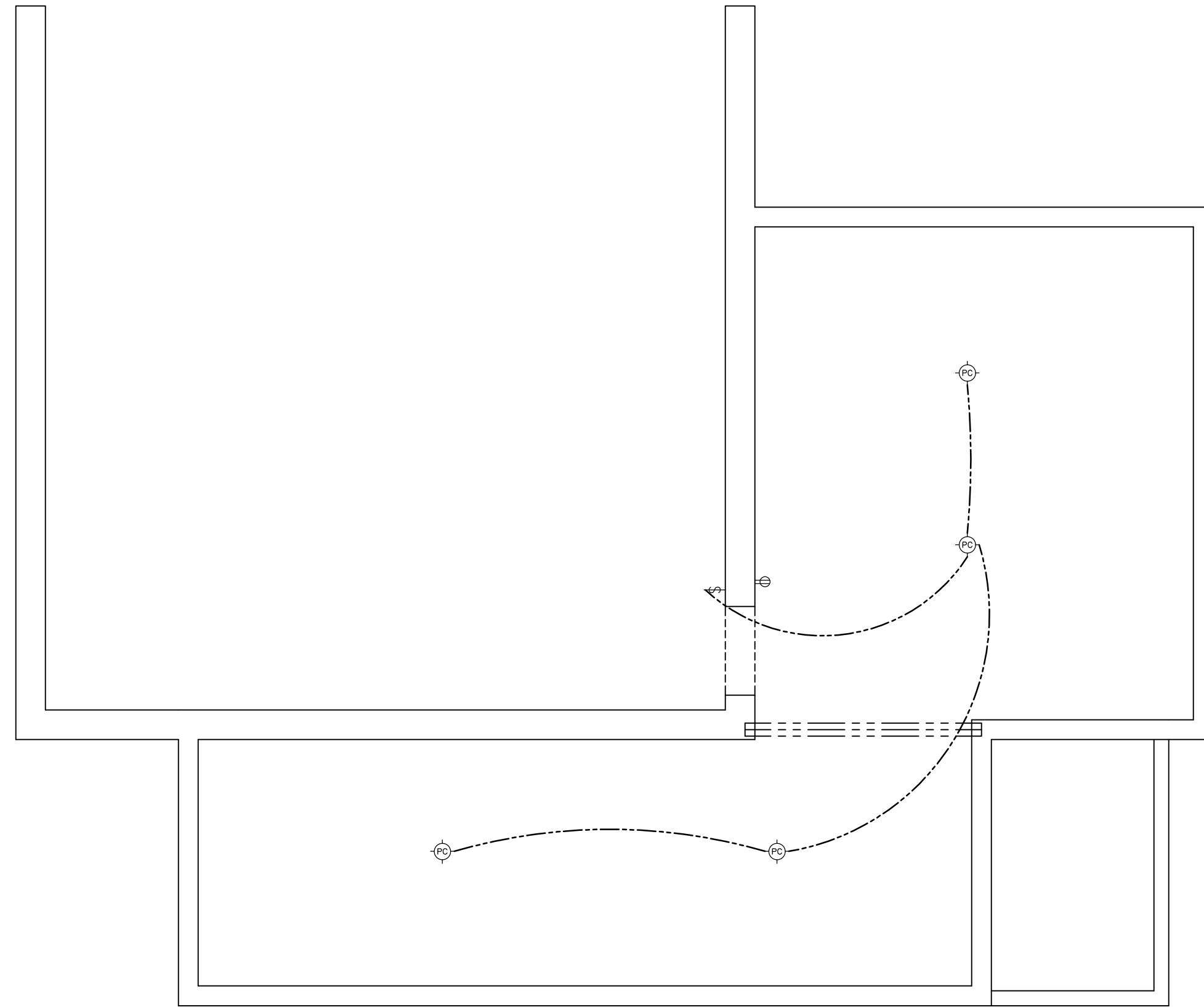
TOWARD REF. WALL

**KITCHEN ISLAND**



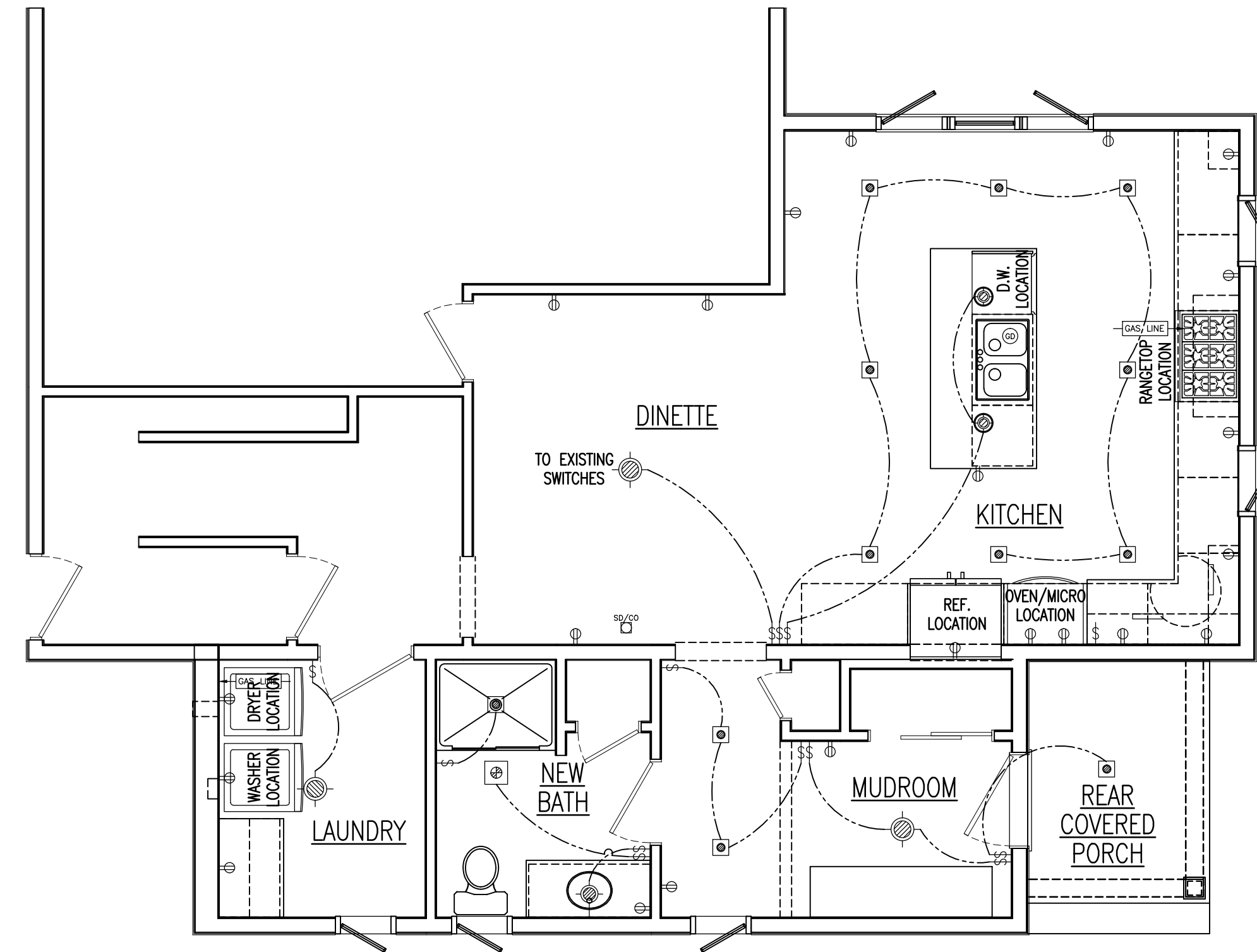
**OUT SOUTH WINDOWS  
KITCHEN**

NO.	DATE	DESCRIPTION
01	1.4.19	Design Set
02		
03		
04		
05		
06		
07		



### FOUNDATION ELECTRICAL PLAN

SCALE: 1/4" = 1'-0"



### FIRST FLOOR ELECTRICAL PLAN

SCALE: 1/4" = 1'-0"

## ELECTRICAL SYMBOLS

	SWITCH		PULL CHAIN LIGHT FIXTURE		CEILING FAN FIXTURE		ELECTRICAL METER
	DUPLEX OUTLET		CAPPED CEILING OUTLET		CEILING FAN WITH LIGHT FIXTURE COMBO		ELECTRICAL BREAKER BOX
	SWITCHED DUPLEX OUTLET		CEILING LIGHT FIXTURE		TYPICAL CAN LIGHT		GARAGE DOOR OPENER
	SMOKE DETECTOR		DIRECTIONAL CAN LIGHT		FLORESCENT FIXTURE		A/C LOCATION
	CARBON MONOXIDE DETECTOR		WALL LIGHT FIXTURE		PENDANT LIGHT FIXTURE		AIR CONDITIONER LOCATION
	SMOKE DETECTOR/CARBON MONOXIDE DETECTOR COMBO		EXHAUST FAN		EXTERIOR DOUBLE FLOOD LIGHT FIXTURE		
	THERMOSTAT		EXHAUST FAN/CEILING LIGHT FIXTURE COMBO				
	DOORBELL CHIME						
	TELEVISION JACK						
	PHONE JACK						
	GARBAGE DISPOSAL						
	PUCK LIGHT						

NO.	DATE	DESCRIPTION
01	1.4.19	Design Set
02		
03		
04		
05		
06		
07		

**HOMEOWNER INFORMATION**

Stack Addition  
 13900 Waterdown Place Rd  
 Elm Grove, WI